

LED PROFILE SURFACE14 EE7F/TY 1000 RAW ALU.



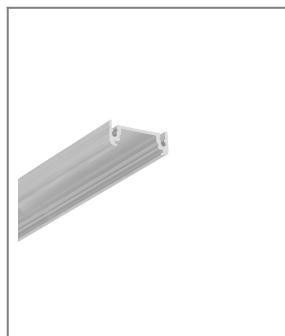
Furniture



max 14 mm



Surface



- hidden mounting
- many system accessories available



EU industrial designs



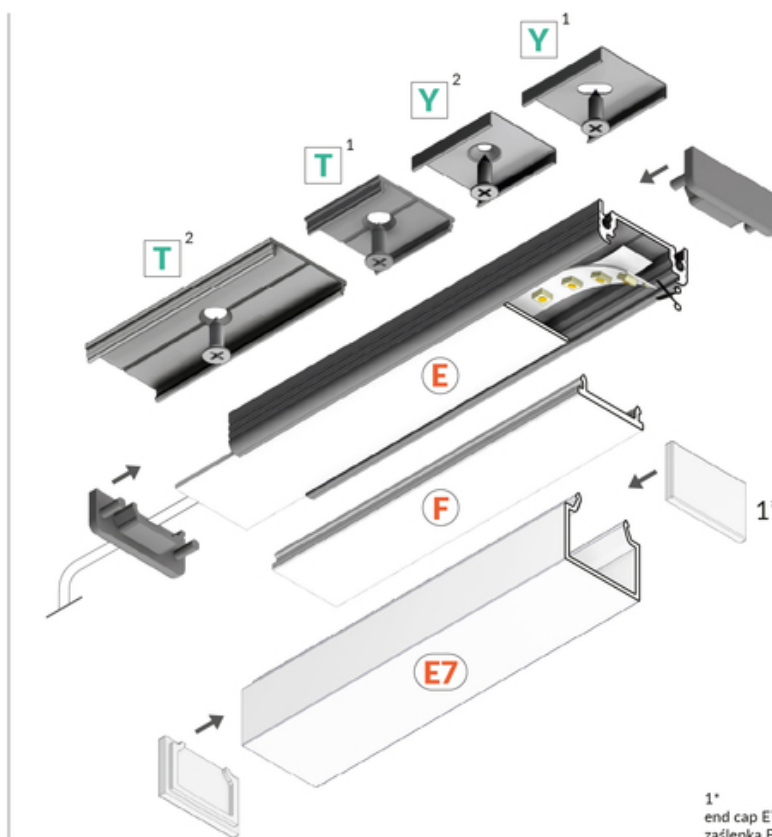
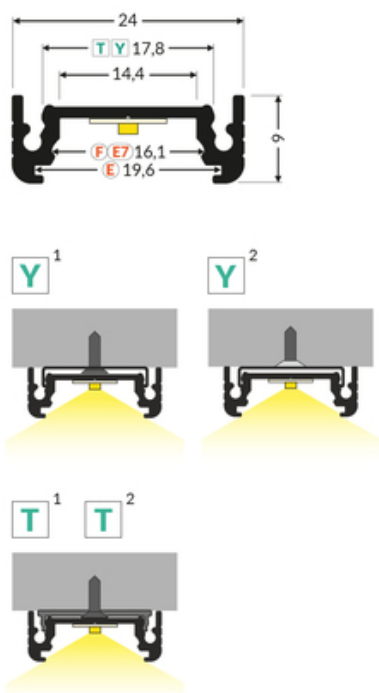
CE

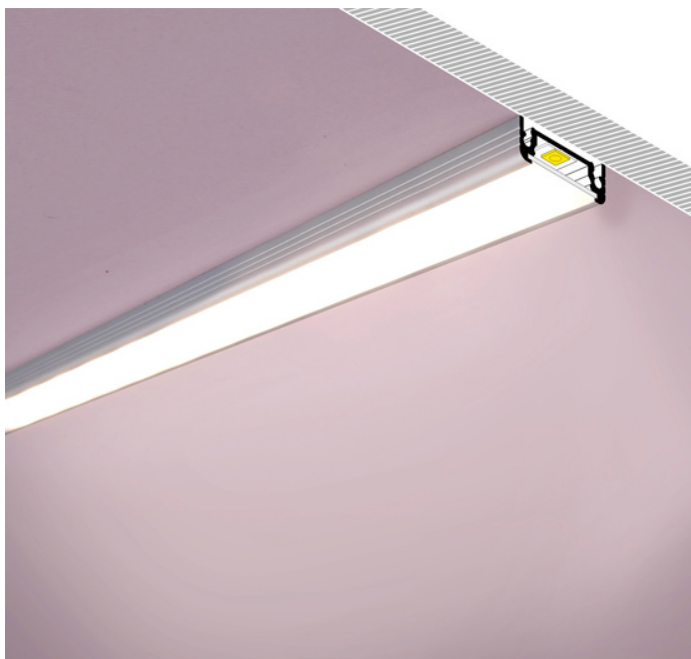


Made in Poland



Buy product



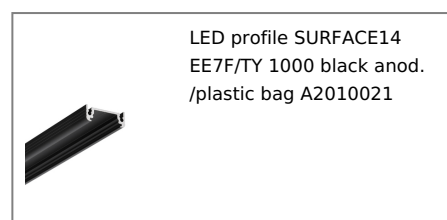
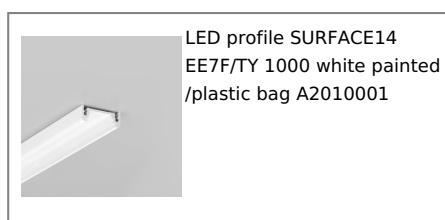
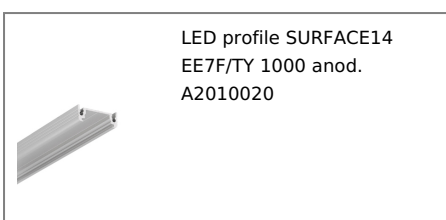


Basic Informations

EAN: 5901597206187
Index: A2010000
Material: aluminium
Color: raw aluminium
Length [mm]: 1000
Weight [kg]: 0.163
Net weight [kg]: 0.029
Country of origin: PL

Measurement unit: qty
Product packaging dimensions [mm]: 1000 x 24 x 9
Bulk packing [qty]: 40
Master packaging type: Bulk
Product with gross packaging weight [kg]: 6.52

AVAILABLE COLORS



AVAILABLE VARIANTS

1000 mm, 2000 mm, 3000 mm, 4050 mm

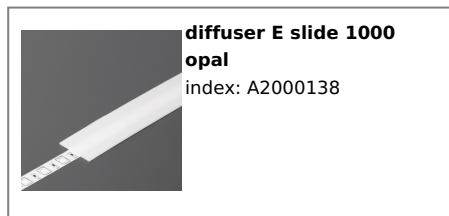
Matching elements

TOPMET LIGHT KŁOSOWICZ WIŚNIEWSKI sp. z o.o.
Ostrowska 354 | 61-312 Poznań | POLAND
tel.: +48 61 872 75 00
info@topmet.pl

pdf card generation date: 10.03.2025



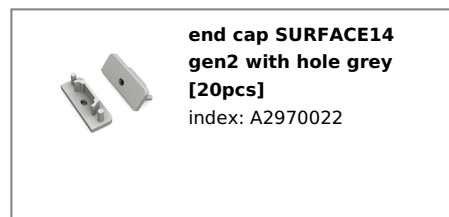
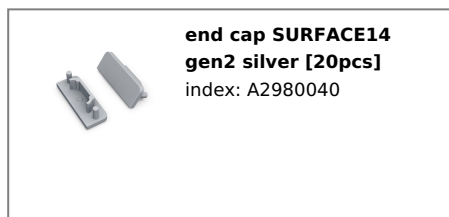
DIFFUSERS



MOUNTINGS



END CAPS



TOPMET LIGHT KŁOSOWICZ WIŚNIEWSKI sp. z o.o.

Ostrowska 354 | 61-312 Poznań | POLAND

tel.: +48 61 872 75 00

info@topmet.pl

pdf card generation date: 10.03.2025



**end cap SURFACE14
gen2 with hole silver**
[20pcs]
index: A2970040

CONNECTORS



connector T 180deg
/plastic bag [200pcs]
index: C6990000W