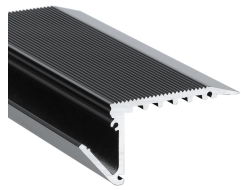


LED PROFILE UP-BOLD12 K 1000 BLACK PAINTED /PLASTIC

BAG



Architectural



- for accentuating step edges
- simple, reinforced profile design (one-piece)
- reinforced K shade
- for use in areas with increased levels of movement (e.g. cinemas, theatres, etc.)
- good light diffusion (even with 60 P/m strip)



EU industrial designs



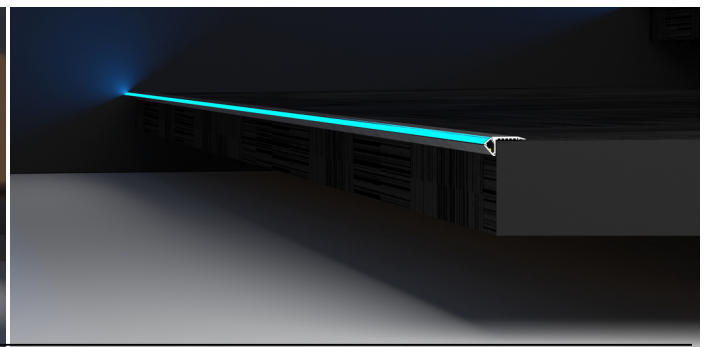
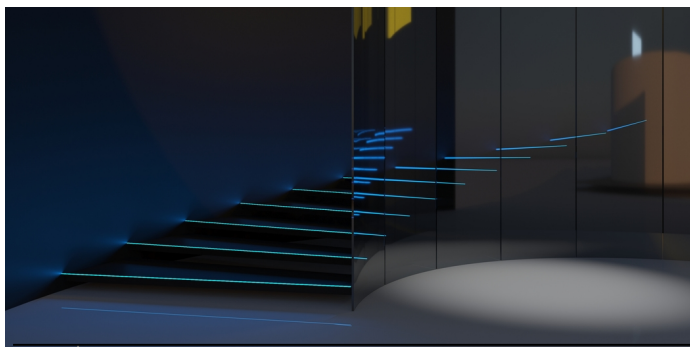
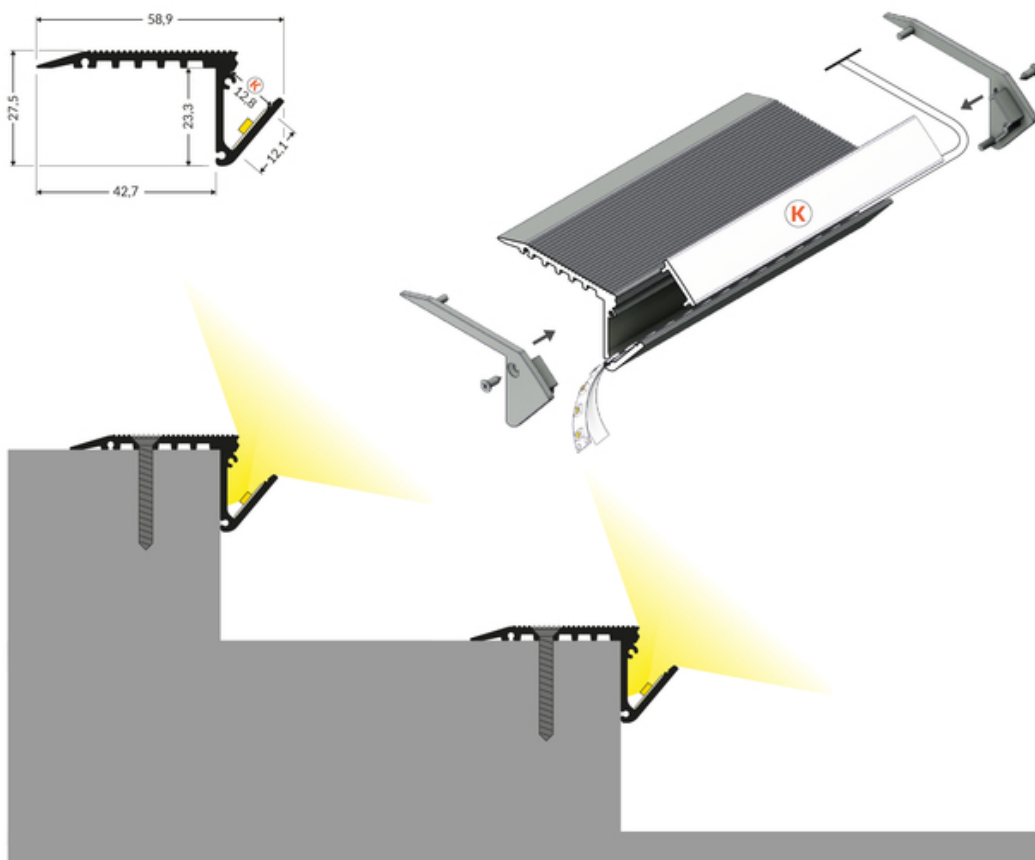
CE



Made in Poland



Buy product



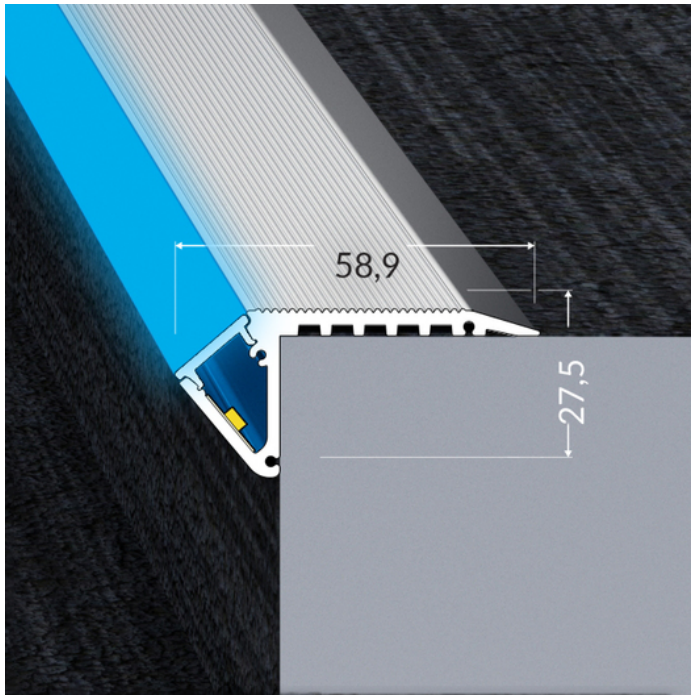
TOPMET LIGHT KŁOSOWICZ WIŚNIEWSKI sp. z o.o.

Ostrowska 354 | 61-312 Poznań | POLAND

tel.: +48 61 872 75 00

info@topmet.pl

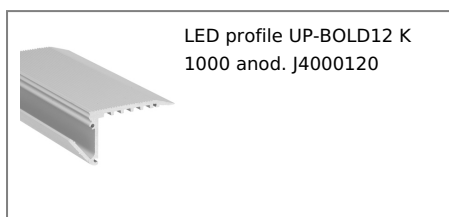
pdf card generation date: 10.03.2025



Basic Informations

EAN: 5901597224167 Index: J4000102 Material: aluminium Length [mm]: 1000 Weight [kg]: 0.603 Net weight [kg]: 0.008000000000000001 Country of origin: PL	Measurement unit: qty Product packaging dimensions [mm]: 1000 x 58,9 x 27,5 Bulk packing [qty]: 20 Master packaging type: Carton Product with gross packaging weight [kg]: 12.47
---	--

AVAILABLE COLORS



AVAILABLE VARIANTS

1000 mm, 2000 mm, 3000 mm, 4050 mm

Matching elements

DIFFUSERS



END CAPS



end cap UP-BOLD12

black [20pcs]

index: J4999902