

# (EOL) LED PROFILE WAY10 C 2000 ANOD.



Architectural



max 10 mm



- strip for illuminating passageways
- dedicated for wall mounting
- hidden mounting and wiring
- curved shape



EU industrial designs



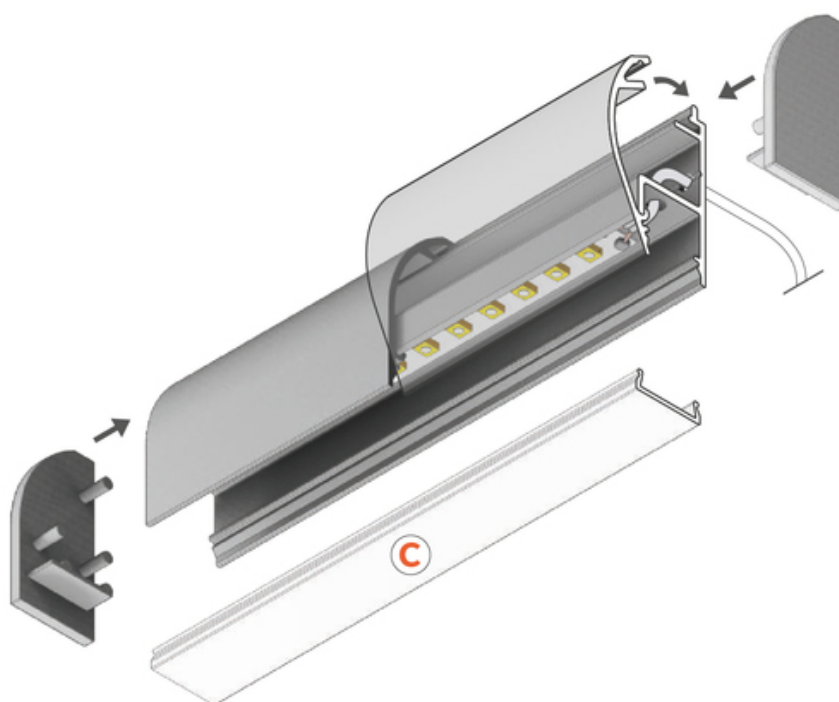
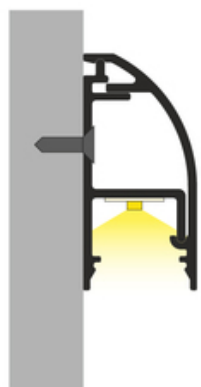
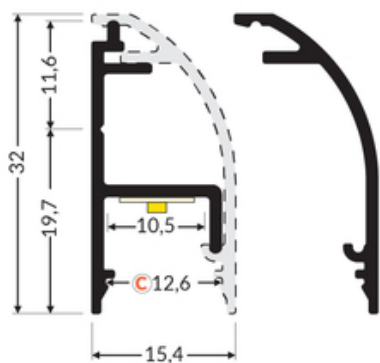
CE



Made in Poland



Buy product





## Basic Informations

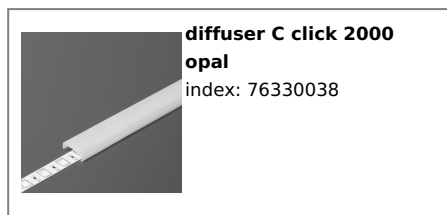
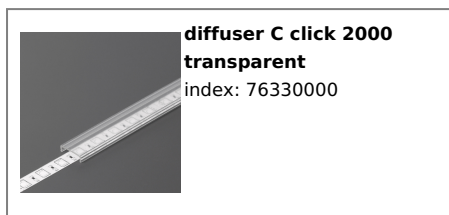
EAN: 5901597256779 Index: F9000220 Material: aluminium Color: anodized Length [mm]: 2000 Weight [kg]: 0.366 Country of origin: PL	Measurement unit: qty Product packaging dimensions [mm]: 2000 x 15,4 x 32 Bulk packing [qty]: 40 Master packaging type: Bulk Product with gross packaging weight [kg]: 14.64
---	--

## AVAILABLE VARIANTS

1000 mm, 2000 mm, 3000 mm, 4050 mm

## Matching elements

### DIFFUSERS



### END CAPS



TOPMET LIGHT KŁOSOWICZ WIŚNIEWSKI sp. z o.o.

Ostrowska 354 | 61-312 Poznań | POLAND

tel.: +48 61 872 75 00

info@topmet.pl

pdf card generation date: 10.03.2025

---

## COMPLEMENTARY PROFILE

